

# Stainless Steel Spring Check Valve - Wafer Type

To Fit PN6/10/16/25 & ANSI 150, Stainless Steel Body, Disc & Spring.

Note: NBR Seat as standard, other options available via assembly

### Pressure / Temperature Specifications

Pressure	PN25 1¼" to 8"
	PN16 10"
Temperature (NBR)	-10°C to 100°C
Temperature (Viton)	-10°C to 150°C
Temperature (PTFE)	-10°C to 200°C

### Material Specifications

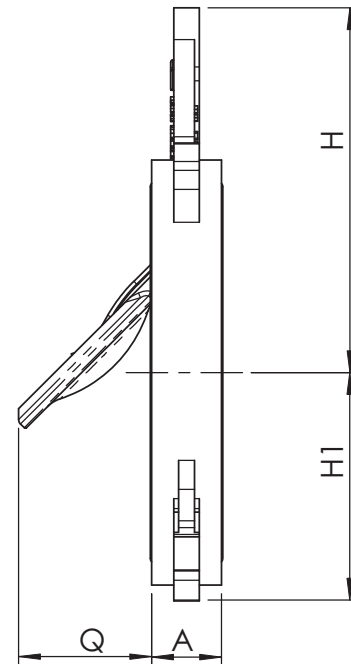
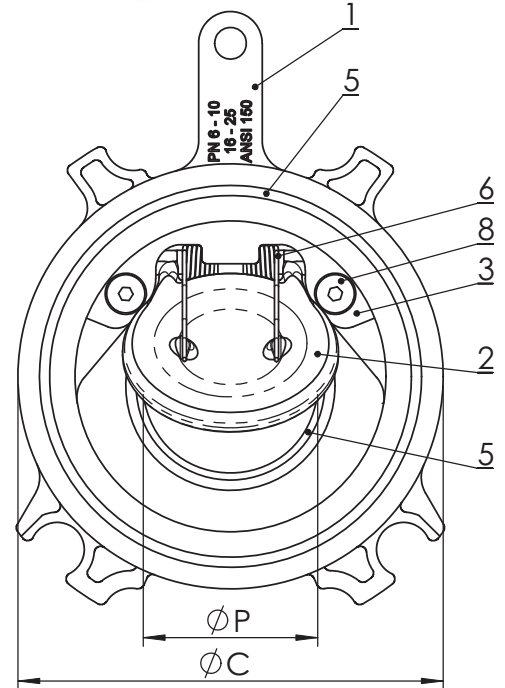
1	Body	ASTM A351 Gr. CF8M Stainless
2	Disc	ASTM A351 Gr. CF8M Stainless
3	Plate	ASTM A351 Gr. CF8M Stainless
5	O-ring	NBR (Viton / PTFE Optional)
6	Spring	AISI 302 Stainless Steel
7	Eyebolt	AISI 316 Stainless Steel
8	Screw	A2 Stainless Steel

### Dimensions

Size	P	A	C	H	H1	Q	Kg
1¼"	20	16	77	83.5	45	18	0.43
1½"	26.5	16	86.5	88.75	49	21	0.54
2"	33	18.5	99	98.5	53	30	0.82
2½"	43	18.5	118	107	63	44	1.25
3"	53	22	134	115	73	56	1.86
4"	75	23.5	154	131	92	70	2.42
5"	96	29	184	138	119	80	3.1
6"	118	34.5	208	137	149	96	5.3
8"	164	36	264	169	167	125	8.5
10"	200	38	317	247	140	169	12.4

### KV / Cracking Pressure Information

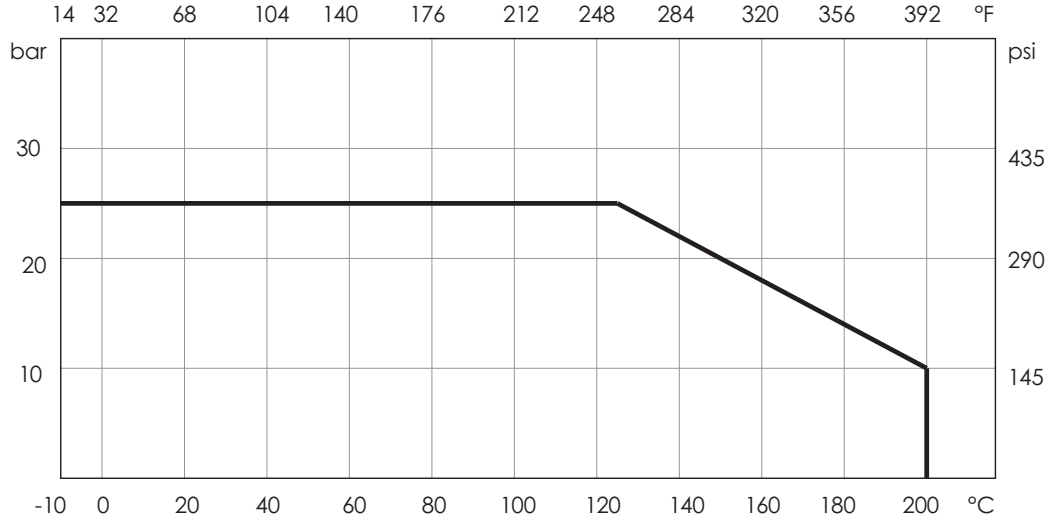
Size	Kv	Flow Direction / Spring Information / Cracking Pressures		
		With Spring	With Spring	Without Spring
1¼"	13	321	242	80
1½"	24	210	138	73
2"	41	194	126	70
2½"	75	198	130	70
3"	140	196	120	76
4"	208	174	106	68
5"	341	226	126	100
6"	525	230	130	100
8"	1093	244	136	110
10"	1670	260	138	122



Pressure/Temperature and Headloss Charts on Next Page

# Stainless Steel Spring Check Valve - Wafer Type

Pressure / Temperature Chart



Headloss Chart

